



1,2,3,4,5,6,7,8,12,14,17,
18,20,21,26,28,33,34



+49 (0) 5041 998 389

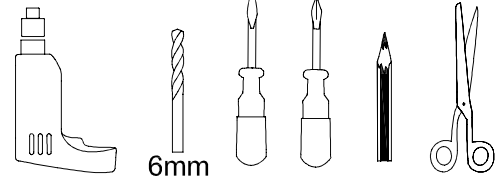
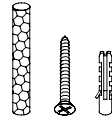
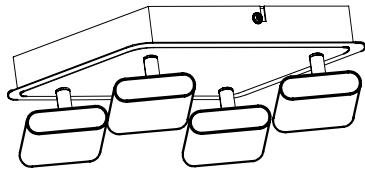
Mon.-Do.7⁰⁰ -20⁰⁰

Fr.7⁰⁰-17⁰⁰

Paulmann Licht
GmbH Quezinger
Feld 2
31832 Springe
Germany

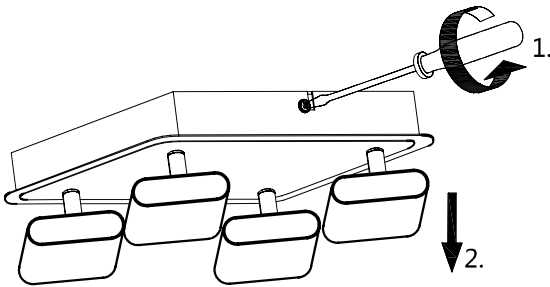
www.paulmann.com

Art.-Nr.:66637
(+MA 326) PHO 03/16



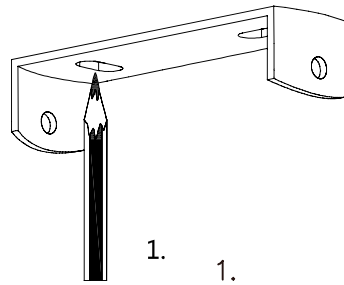
6mm

A

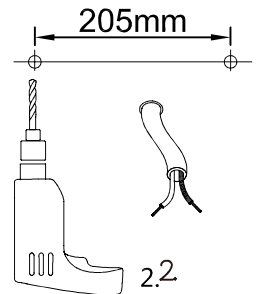


Safety
Instructions
s Nr.5

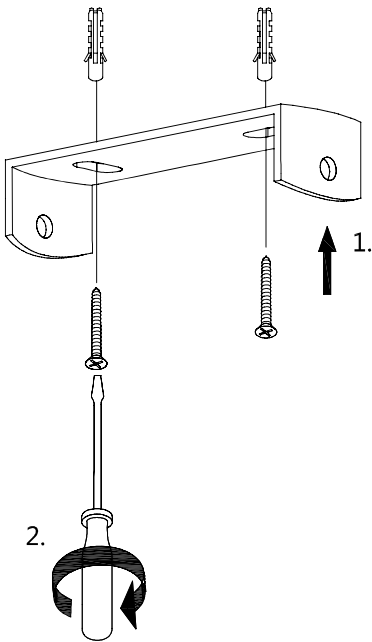
B



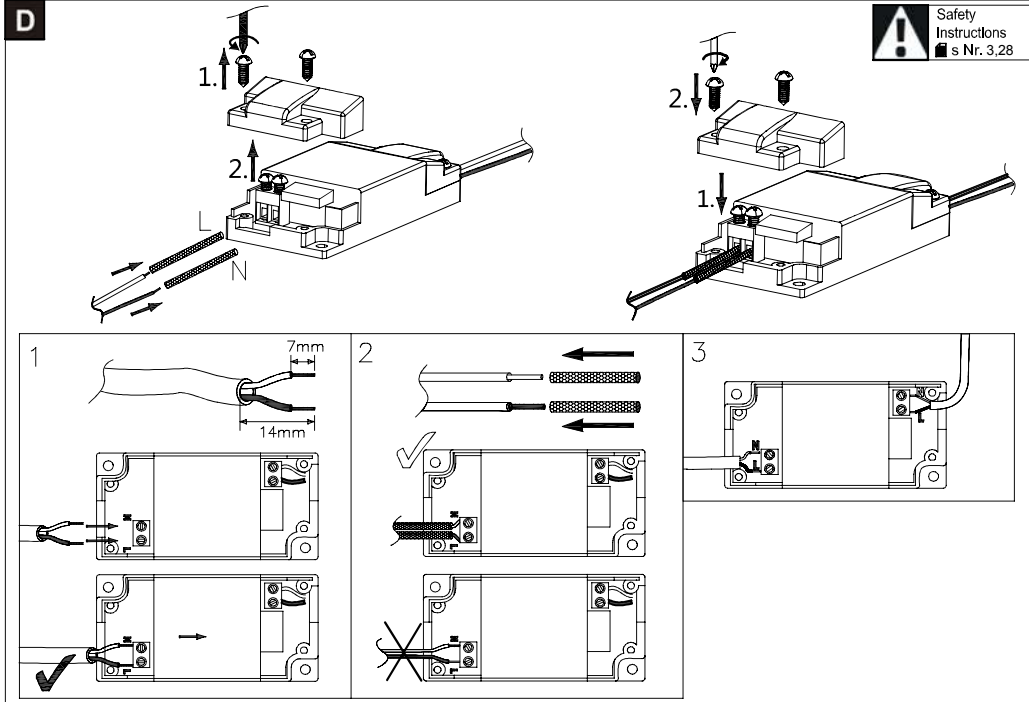
Safety
Instructions
s Nr. 2,5,7



C

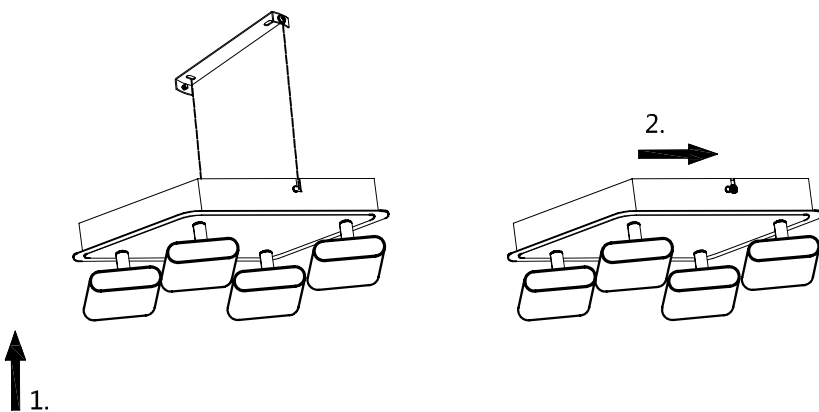


D



Safety
Instructions
s Nr. 3,28

E



F

